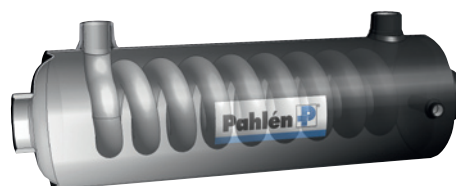


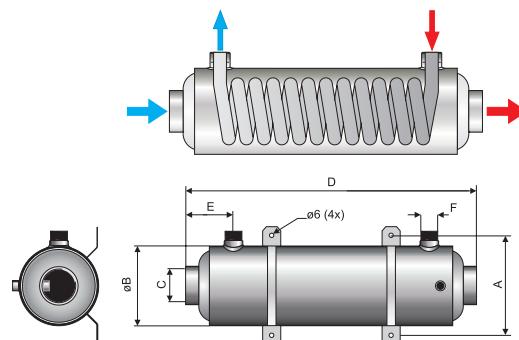
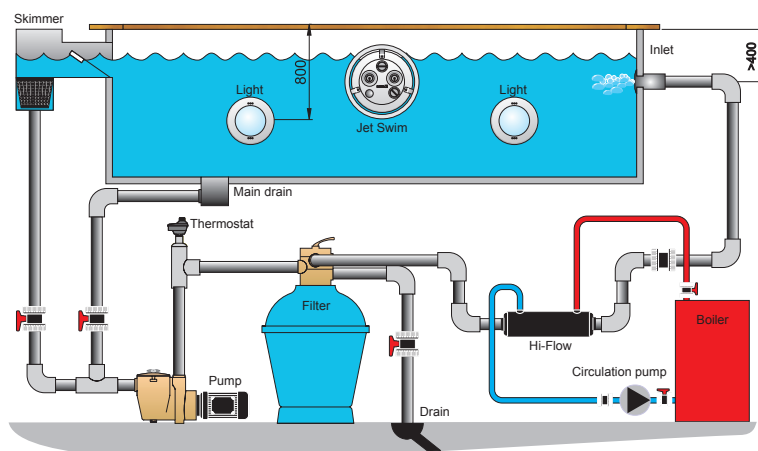
## HI-FLOW



Item no. 11394 HF 75 - 75kW



- **Acid-proof stainless steel AISI 316L** - For optimum quality and life.
- **Precision-welded outer jacket** - For optimum finish and long life.
- **Coil for heating medium** - For installations that operate under high pressure.
- **Pocket for probe** - Simple installation of external temperature sensor.
- **Adjustable brackets of acid-resistant stainless steel** - For simpler and more flexible installation.
- **Four sizes: 13, 28, 40 and 75 kW** - For swimming pools of up to 300 m<sup>3</sup>.
- **Connects to boiler, heat pump, solar panel system or other heat source** - Suits all installations.



### Dimensions

Item no.	A	B	C	D	E	F
11391	139	129	1½"	235	72	¾"
11392	139	129	1½"	407	75	¾"
11393	139	129	1½"	455	85	1"
11394	139	129	2"	702	85	1"

The maximum pressure for the secondary circuit (pool water) is 10 bar and for the primary circuit (hot water) 60 bar.

### Technical data

Item no.	Model	Capacity		Primary, hot water		Secondary, pool water	
		kW	kBtu/h	l/min	press. drop H(m)	l/min	press. drop H(m)
11391	HF 13	13	45	25	0,9	200	0,6
11392	HF 28	28	95	25	1,7	300	1,6
Capacity at 60° temperature difference							
11393	HF 40	40	135	60	1,6	300	1,8
11394	HF 75	75	260	60	2,1	300	0,9
Capacity at 70° temperature difference							