

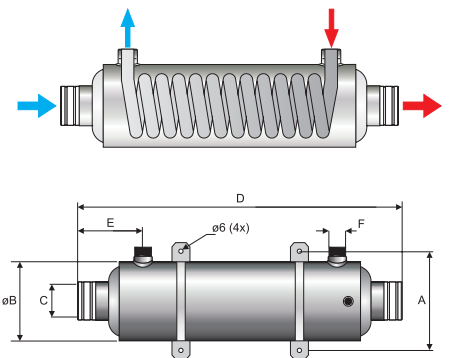
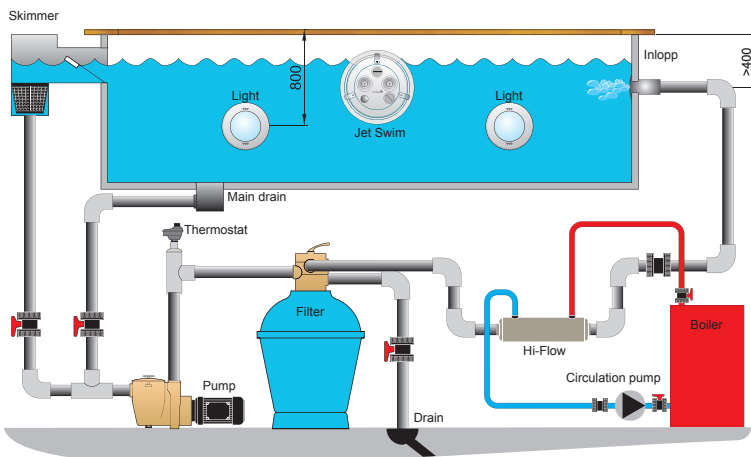
HI-FLOW TITANIUM



Item no. 11333 T40 - 40kW



- **Titanium** - Best possible quality and life, for swimming pools with salt water or where a salt generator/chlorinator is used.
- **Coil for the heating medium** - For installations that operate under high pressure.
- **Connections with interior thread (secondary side)** - Several connection possibilities.
- **Pocket for probe** - Simple installation of external temperature sensor.
- **Adjustable brackets of acid-resistant stainless steel** - For simpler and more flexible installation.
- **Three sizes 28, 70 and 75 kW** - For swimming pools of up to 300 m³.
- **Connects to boiler, heat pump, solar panel system or other heat source** - Suits all installations.



Dimensions

Item no.	A	B	C	D	E	F	G
11332	139	113	1½"	470	95	1"	51
11333	139	127	1½"	510	108	1"	51
11334	139	127	1½"	754	108	1"	51

The maximum pressure for the secondary circuit (pool water) is 5 bar and for the primary circuit (hot water) 30 bar.

Technical data

Item no.	Model	Capacity		Primary, hot water		Secondary, pool water	
		kW	kBtu/h	l/min	press. drop H(m)	l/min	press. drop H(m)
11332	T 28	28	95	20	1,3	300	1,6
11333	T 40	40	135	40	2,8	350	1,6
Capacity at 60° temperature difference							
11334	T 75	75	260	45	7,2	350	1,9
Capacity at 70° temperature difference							